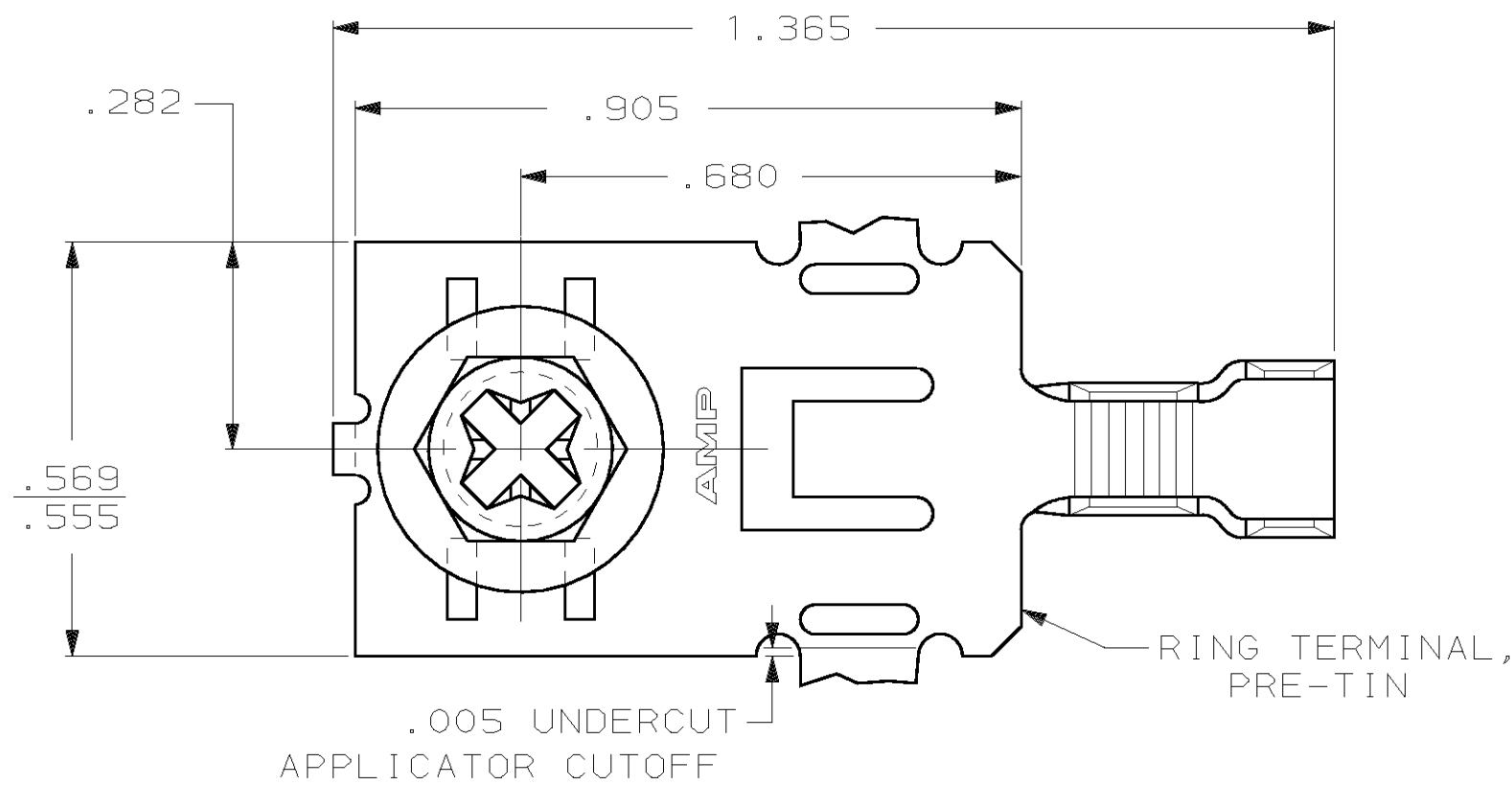
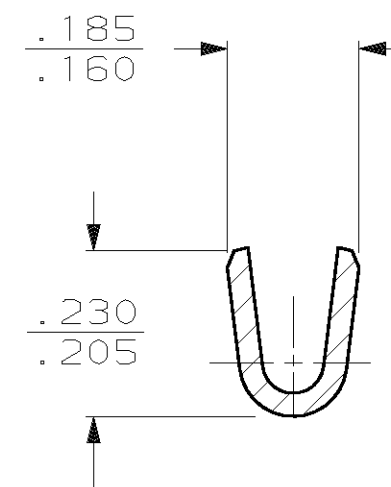
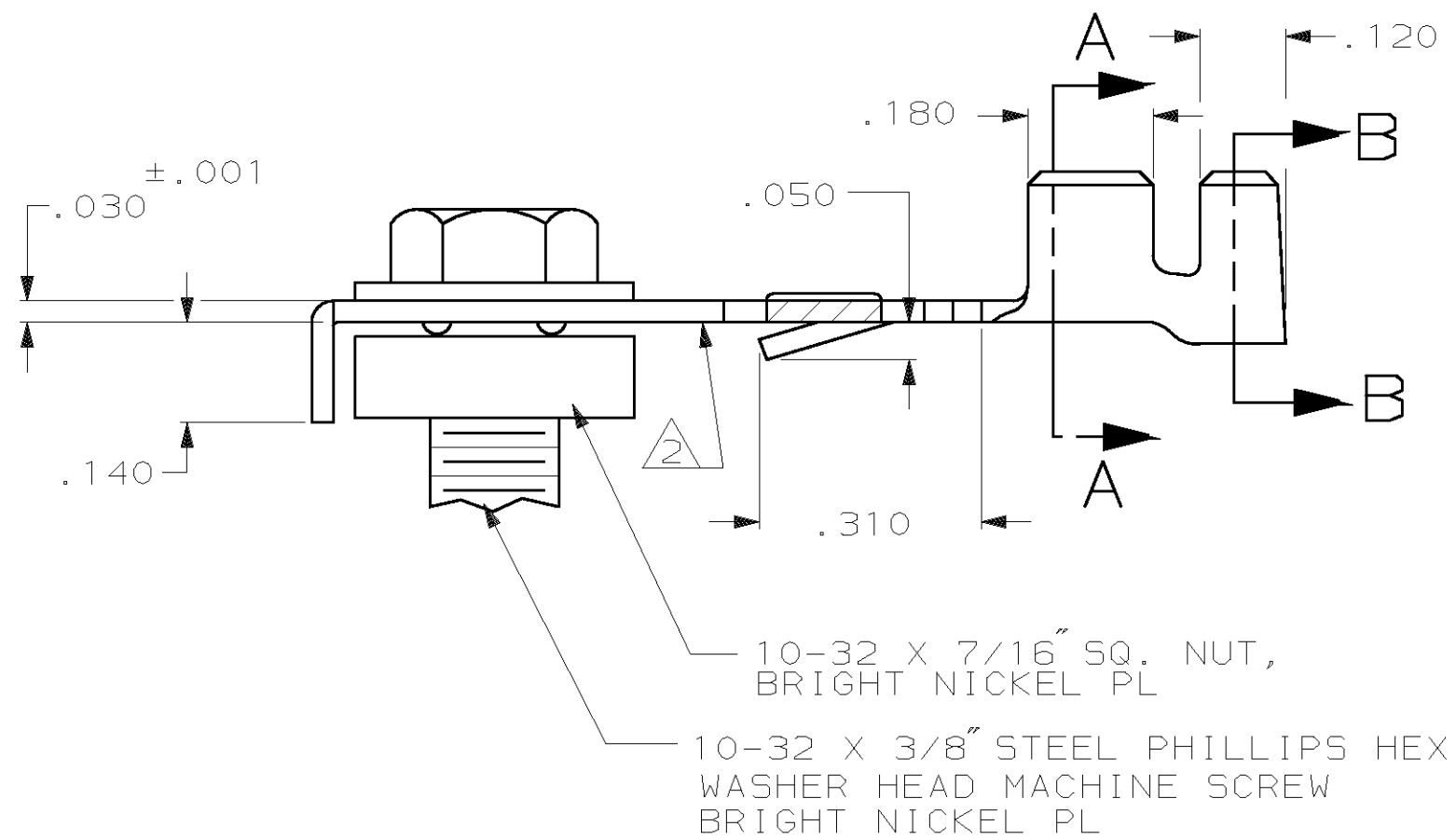


THIS DRAWING IS UNPUBLISHED. RELEASED FOR PUBLICATION
 © COPYRIGHT 19 BY AMP INCORPORATED. ALL INTERNATIONAL RIGHTS RESERVED.

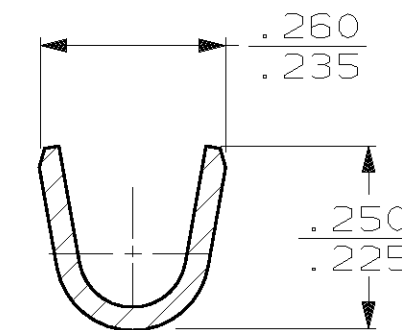
LOC	DIST	P	F	ZONE	LTR	DESCRIPTION	DATE	APPD
AF	50				B	REV PER 061A-0137-99	23JUN99	JR/DD



- 1 CONTINUOUS STRIP ON REEL.
- 2 VERTICAL BURRS NOT TO EXCEED .005 ALONG THIS EDGE.
- 3 BACK OUT TORQUE OF SCREW TO BE A MIN OF 5 INCH LBS AND A MAX OF 25 INCH LBS.
- 4 REFERENCE APPLICATOR LOG SHEET FOR CRIMP INFORMATION.



SECTION A-A



SECTION B-B

		.110-.160	16-12	520994-1
		INSULATION RANGE	WIRE RANGE	PART NO
DO NOT SCALE PRINT. UNLESS SPECIFIED DIMENSIONS IN INCHES TOLERANCES ON : 2 PLC DEC ± - 3 PLC DEC ± .015 ANGLES ± -	DR 7/12/94 P FORTNEY	AMP INCORPORATED Harrisburg, Pa. 17105		
	CHK 7/12/94 MS FEHER			
MATERIAL	APPD 7/12/94 R KUZO	NAME POWER RING		
RING TERMINAL 082 BRASS	PRODUCT SPEC 108-1191			
FINISH	APPLICATION SPEC 114-2087	SIZE C	FSCM NO 00779	DRAWING NO 520994
	WEIGHT -	SCALE 4:1		SHEET 1 OF 1